

## PRODUCT SPECIFICATIONS

### AMP

MODEL NO.	MOTOR	RPM		AMP		HP	kW	NET WT.		CAPACITOR	
		60HZ	50HZ	60HZ	50HZ			lbs.	kg	mfd.	VOLT
87R142-403H-N270X	200-240 (60/50Hz)	1725	1425	1.5	1.8	1/4	0.19	14.9	6.8	30	370

SOUND LEVEL LESS THAN 65 db(A)

NORMAL AMBIENT +5 °C - +40 °C

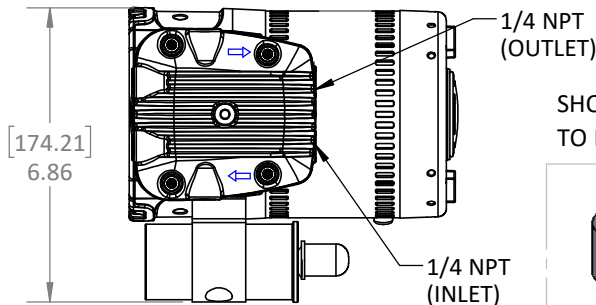
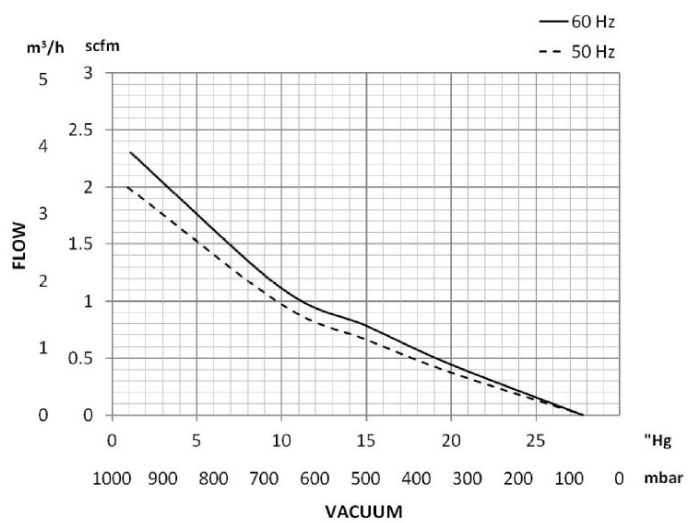
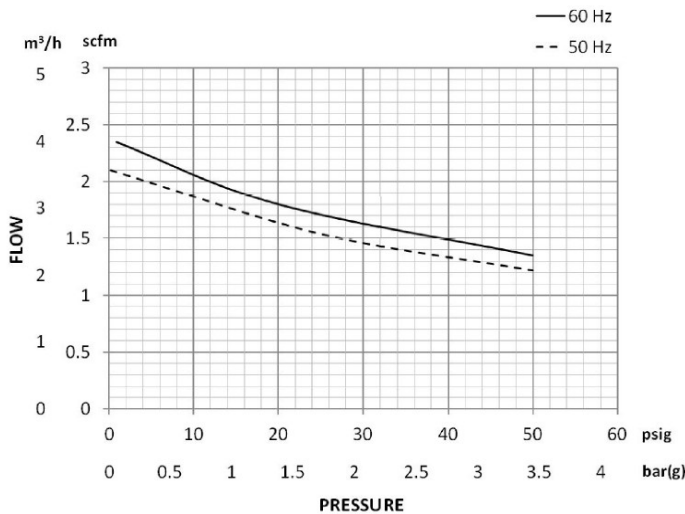
RELATIVE HUMIDITY 20% - 80%

ENVIRONMENT CLEAN DUST FREE

#### NOTES:

1. TECHNICAL DATA SUBJECT TO CHANGE WITHOUT NOTICE.
2. THIS PUMP MUST BE INSTALLED IN AN ENCLOSURE.
3. ALL DIMENSIONS ARE FOR REFERENCE ONLY.
4. KIT P/N: K962.

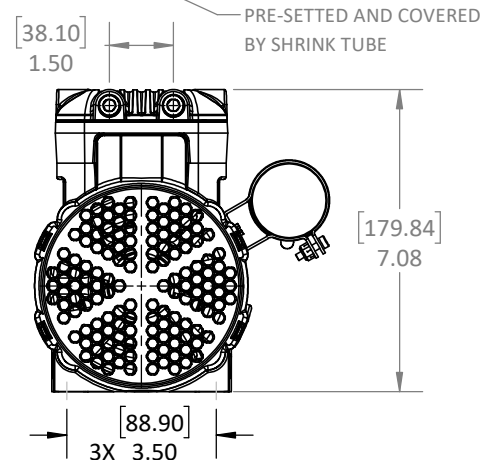
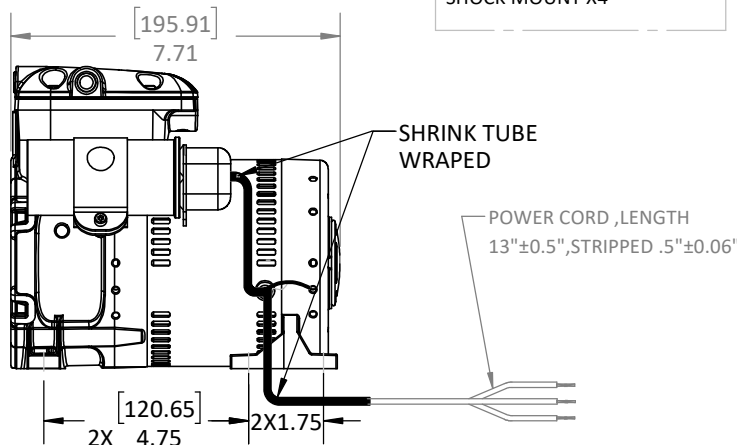
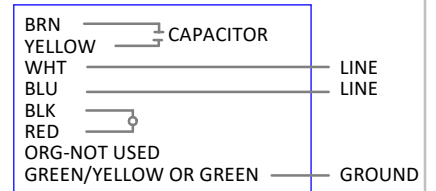
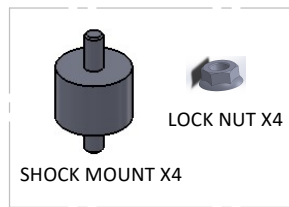
## PRODUCT PERFORMANCE:



## PRODUCT DIMENSIONS:

WIRING DIAGRAM (CONNECTED TO 200-240V)

SHOCK MOUNT AND LOCK NUT TO BE SHIPPED UNATTACHED



## 产品说明:

型号	电机电压	转速		电流		HP	kW	净重		电容	
		60HZ	50HZ	60HZ	50HZ			lbs.	kg	mfd.	VOLT
87R142-403H-N270X	200-240 (60/50Hz)	1725	1425	1.5	1.8	1/4	0.19	14.9	6.8	30	370

噪音: < 65 db(A)

正常使用环境温度: +5°C - +40°C

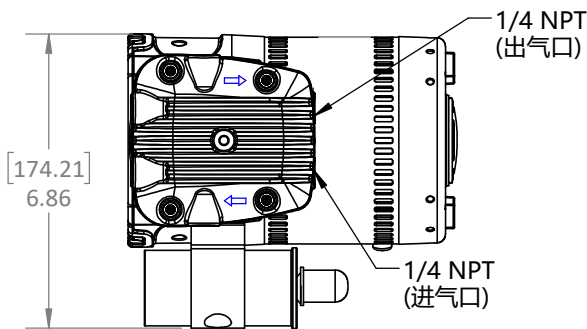
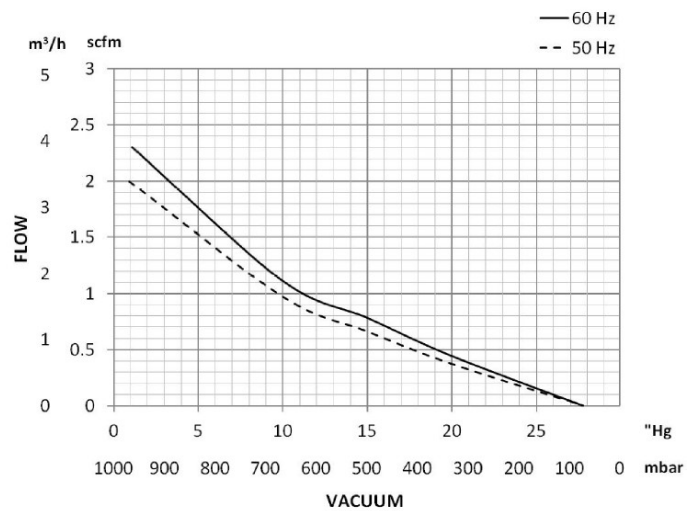
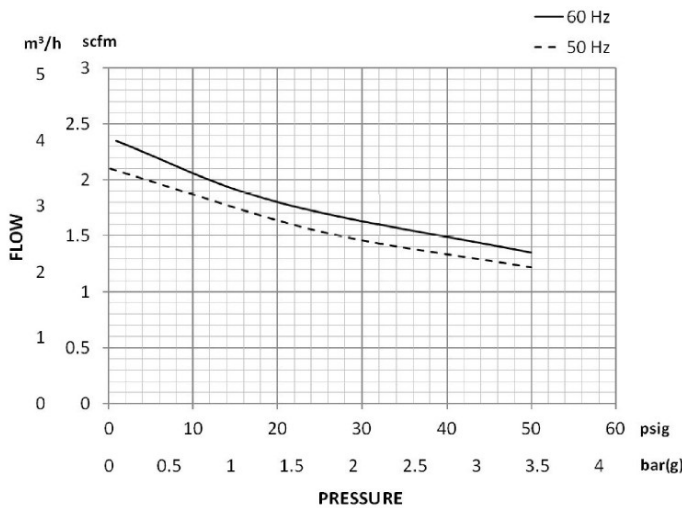
相对湿度: 20% - 80%

环境: 无尘

备注:

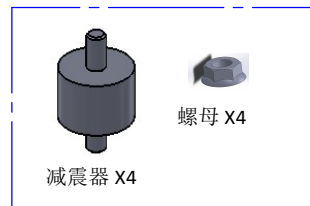
1. 本技术参数表如有更新恕不通知;
2. 请将泵安装在一个外壳内, 否则处于安全考虑, 请安装风扇罩;
3. 所有尺寸仅供参考;
4. 维修包料号: K962

## 产品性能:

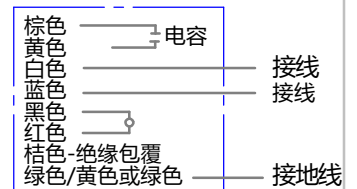


## 产品尺寸:

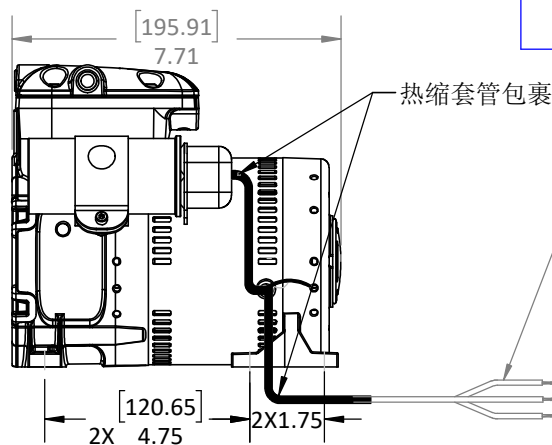
减震器和螺母放置在附件袋



接线图 (按照200-240V连接)



已经预接好并用热缩管包裹



电源线长度 13"±0.5", 拨线长度 .5"±0.06"

