



GAST MFG, INC. & JUN-AIR
 A Unit of IDEX Corporation
 Post Office Box 97
 Benton Harbor, Michigan 49022 U.S.A.
 Ph: 269/926-6171
 Fax: 269/925-8288

IDEX Technology (Suzhou) Co., Ltd.
 A Unit of IDEX Corporation
 No. 51 TangBang Road, CaoHu Boulevard,
 Xiang Cheng District Suzhou, Jiangsu, China, 215126
 Ph: (0086) 512 62833000
 Fax: (0086) 512 62833288

PART NUMBER: RTD010C

REVISION: A

PRODUCT SPECIFICATIONS

MODEL NO.	MOTOR	RPM		AMPS		HP	kW	NET WT.		CAPACITOR	
		60HZ	50HZ	60HZ	50HZ			lbs.	kg	mfd.	VOLT
87R142-401-N270X	100-120/200-240 (60Hz) 100-120/200-240 (50Hz)	1725	1425	3.0/1.5	3.5/1.8	1/4	0.19	14.9	6.8	30	370

SOUND LEVEL LESS THAN 65 db(A)

NORMAL AMBIENT +5 °C - +40 °C

RELATIVE HUMIDITY 20% - 80%

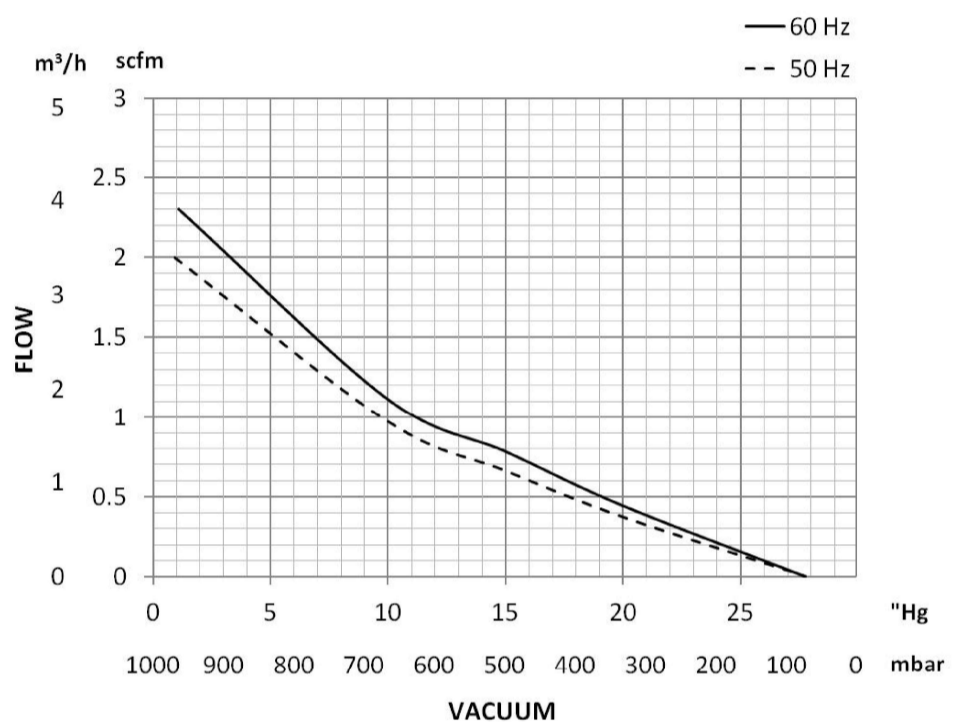
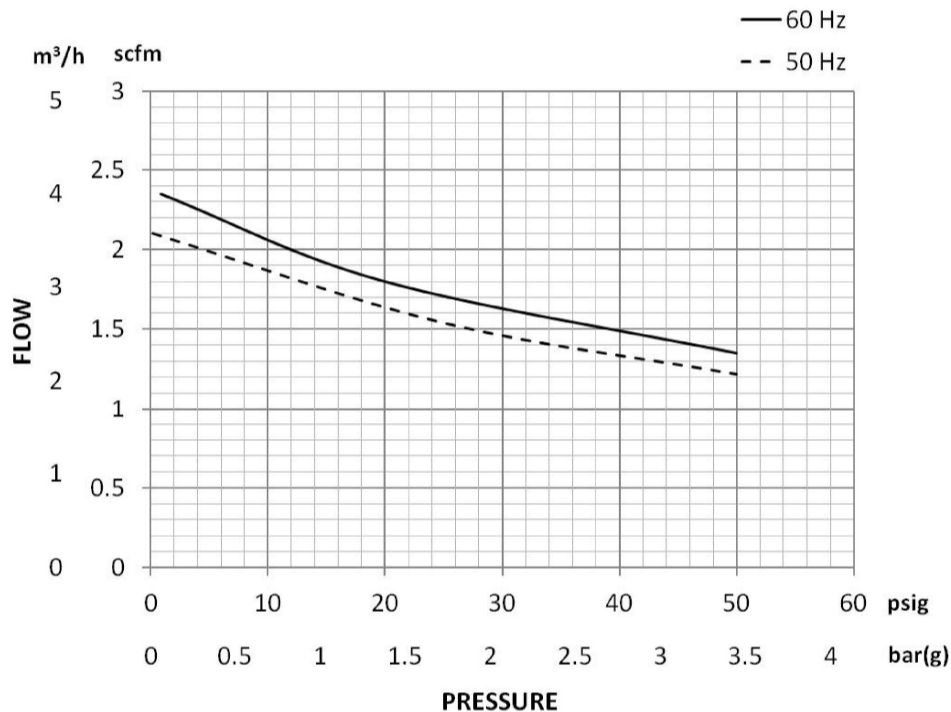
ENVIRONMENT CLEAN DUST FREE

NOTES:

1. TECHNICAL DATA SUBJECT TO CHANGE WITHOUT NOTICE.
2. THIS PUMP MUST BE INSTALLED IN AN ENCLOSURE.
3. ALL DIMENSIONS ARE FOR REFERENCE ONLY.
4. KIT P/N: K962.

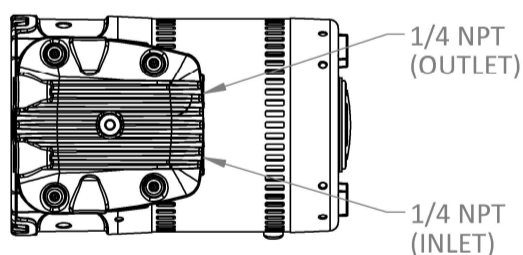
PRODUCT PERFORMANCE:

50Hz CURVES BASED ON 230V.
 60Hz CURVES BASED ON 115V.

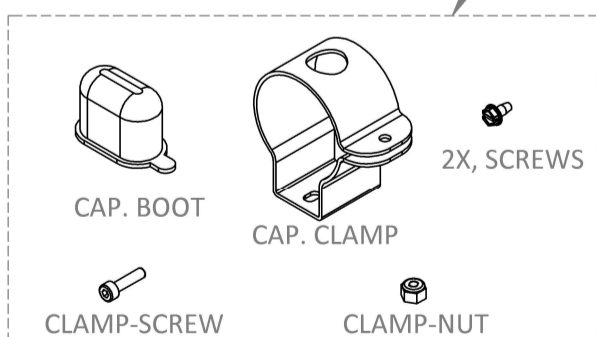


PRODUCT DIMENSIONS:

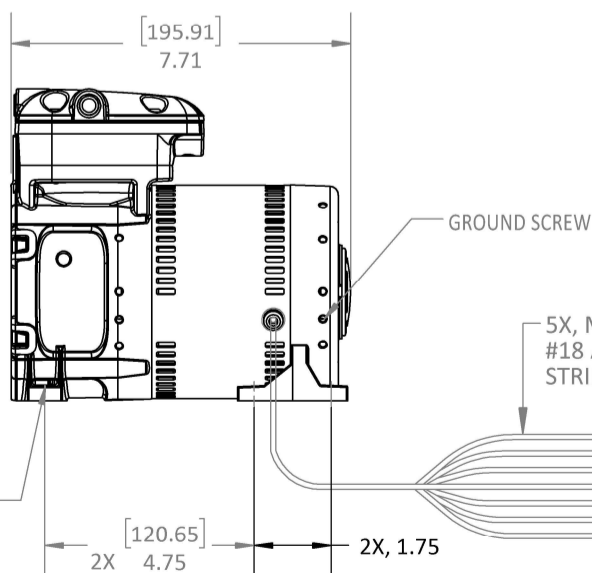
WIRING DIAGRAM



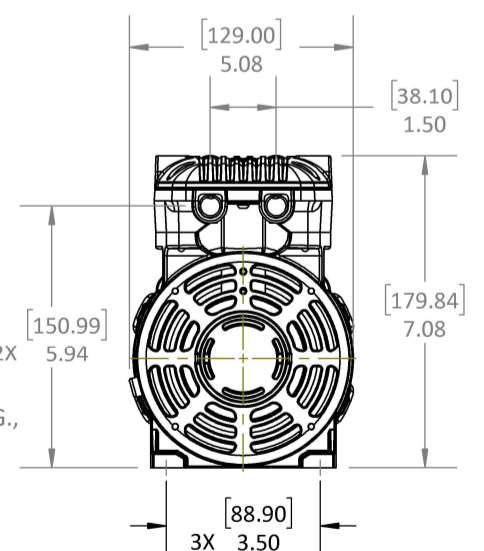
CAPACITOR MOUNTING KIT
 TO BE SHIPPED UNATTACHED.



6X, 1/4-20
 TAPPED HOLES



5X, MOTOR LEADS
 #18 AWG. 29.0 ±1.0 LG.,
 STRIPPED .374 ±.06.



2X, MOTOR LEADS
 #18 AWG. 29.0 ±1.0 LG.,
 .032 x .250 FEMALE TERMINALS,
 BRN & YEL LEADS (TO CAPACITOR)

CAPACITOR TO BE SHIPPED UNATTACHED

产品说明:

产品型号	电机电压	转速		电流		HP	kW	净重		电容	
		60HZ	50HZ	60HZ	50HZ			lbs.	kg	mfd.	VOLT
87R142-401-N270X	100-120/200-240 (60Hz) 100-120/200-240 (50Hz)	1725	1425	3.0/1.5	3.5/1.8	1/4	0.19	14.9	6.8	30	370

噪音: <65 db(A)

正常使用环境温度: +5 °C - +40 °C

相对湿度: 20% - 80%

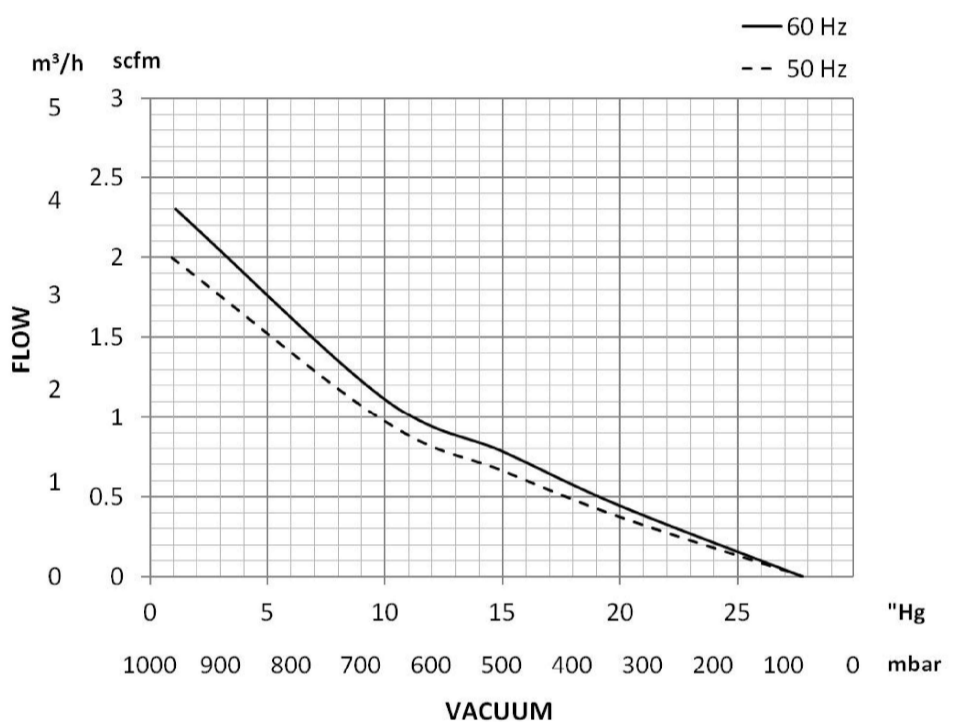
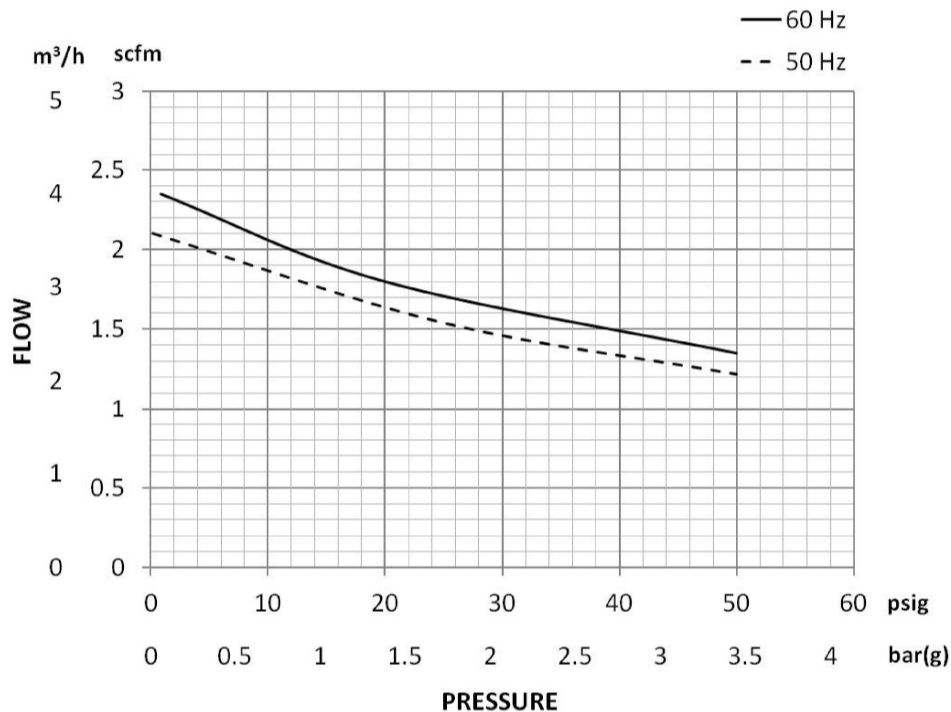
环境: 无尘

备注:

1. 本技术参数表如有更新恕不通知;
2. 请将泵安装在一个外壳内, 否则出于安全考虑, 请安装风扇盖;
3. 所有尺寸仅供参考;
4. 维修包料号: K962。

产品性能:

50Hz 时的性能曲线基于230V.
 60Hz 时的性能曲线基于115V.



产品尺寸:

