



Post Office Box 97
 Benton Harbor, Michigan
 Ph: 269/926-6171
 Fax: 269/925-8288

PART NUMBER:
 STD294B

REV.
 A

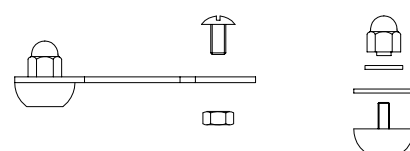
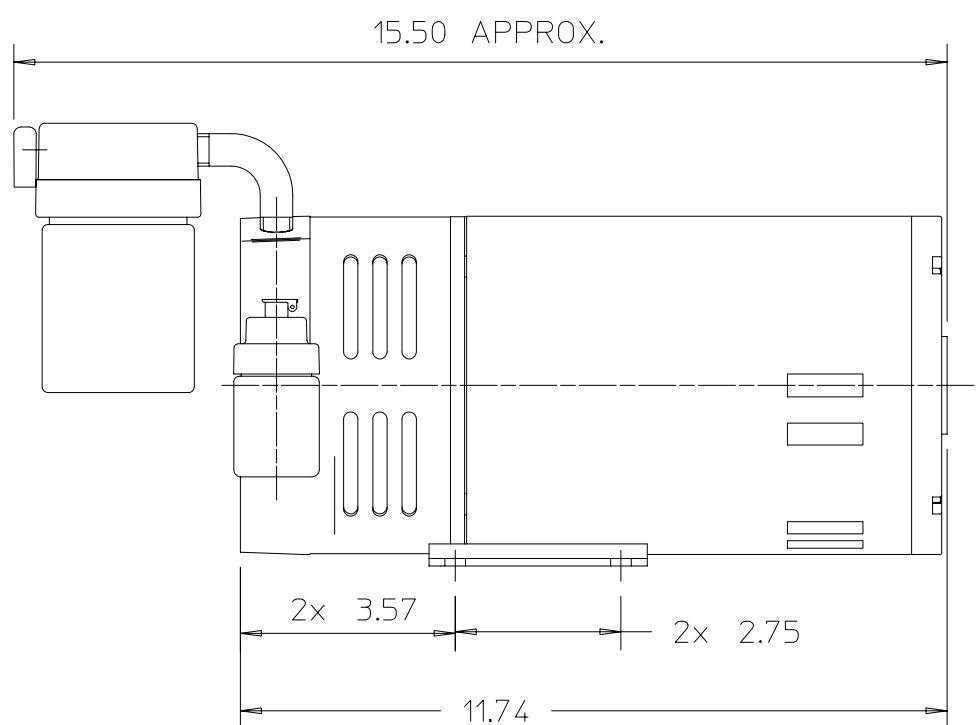
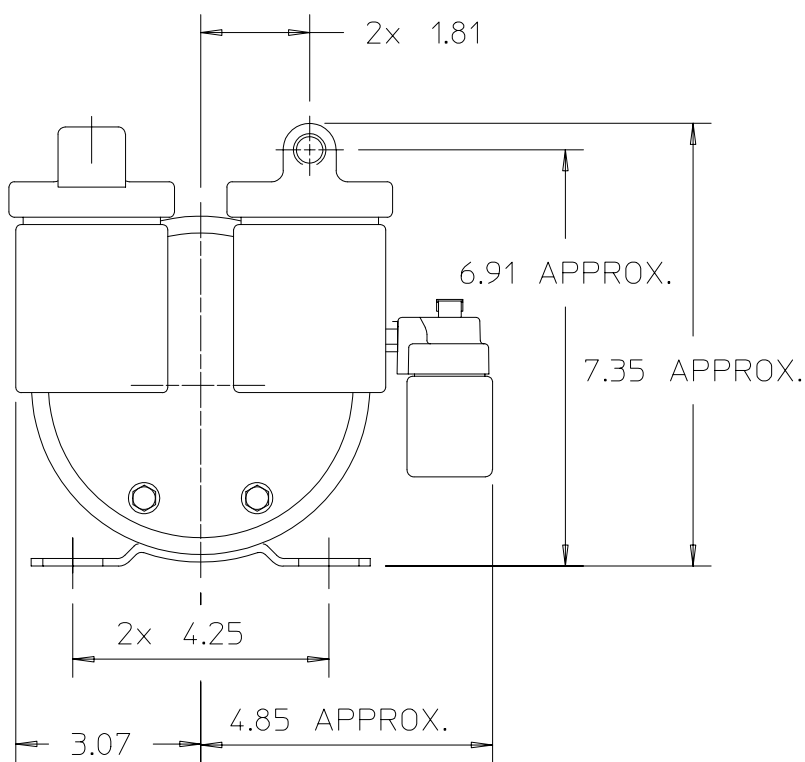
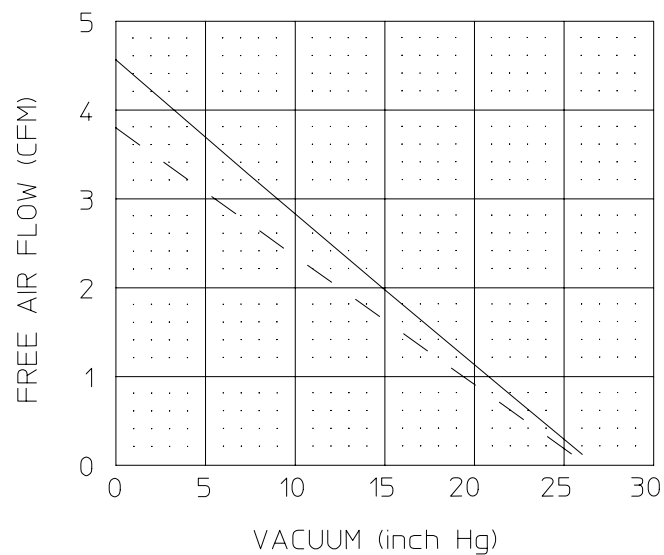
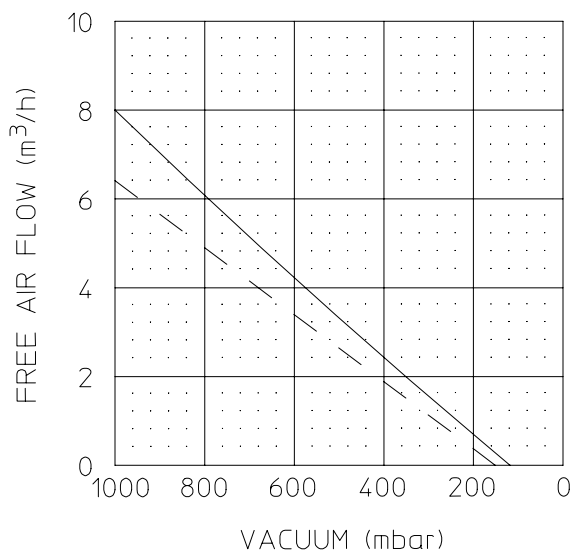
Product Specifications

Model Number	Motor Voltage	RPM		HP	kW	Net Wt.	
		60 cycle	50 cycle			lbs.	kg
0523-V3-G588NDX	50Hz 110/220-240 60Hz 115/230	1725	1425	1/4	0,18	33	15,00

SOUND LEVEL LESS THAN 70 dB(A)
 NORMAL AMBIENT 1°C. - 40°C.
 RELATIVE HUMIDITY 8% - 100% NON CONDENSING
 ENVIRONMENT CLEAN DUST FREE

NOTES:

1. TECHNICAL DATA SUBJECT TO CHANGE WITHOUT NOTICE.
2. DIMENSIONS ARE FOR REFERENCE ONLY UNLESS OTHERWISE TOLERANCED.
3. DASHED LINE IS FOR 50 Hz PERFORMANCE.
 SOLID LINE IS FOR 60 Hz PERFORMANCE.



FOOT BRACKET
 SHIPPED UNATTACHED