

## PRODUCT SPECIFICATIONS

MODEL NO.	MOTOR	RPM		AMPS		HP	kW	NET WT.		CAPACITOR	
		60HZ	50HZ.	60HZ	50HZ.			lbs.	kg	mf.	VOLT
87R647-441-N470X	115-120/230-240 (60Hz) 110-120/220-240 (50Hz)	1725	1425	6.2/3.1	5.1/2.6	1/2	0.37	19.1	8.6	30	370
CUSTOMER SIGNOFF:										DATE:	

SOUND LEVEL LESS THAN 65 db(A)

NORMAL AMBIENT +5 °C - +40 °C

RELATIVE HUMIDITY 20% - 80%

ENVIRONMENT CLEAN DUST FREE

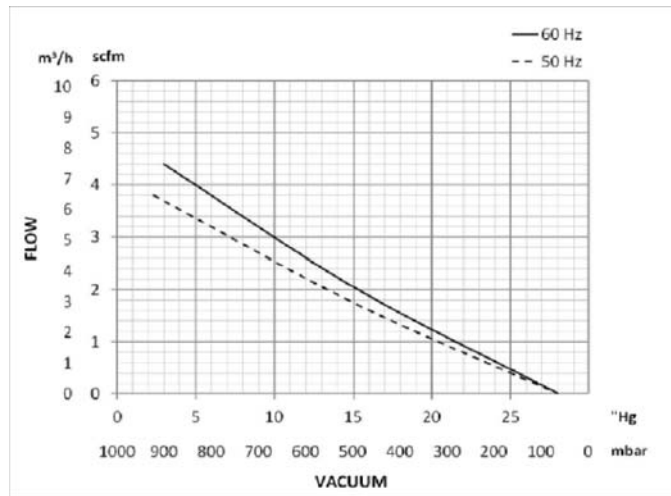
### NOTES:

1. TECHNICAL DATA SUBJECT TO CHANGE WITHOUT NOTICE.
2. THIS PUMP MUST BE INSTALLED IN AN ENCLOSURE.
3. ALL DIMENSIONS ARE FOR REFERENCE ONLY.
4. KIT P/N: K964.

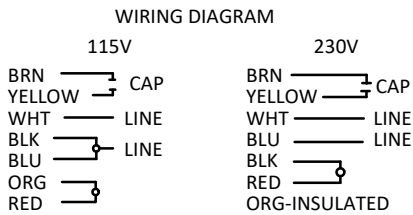
### PRODUCT PERFORMANCE:

50Hz CURVES BASED ON 230V.  
 60Hz CURVES BASED ON 115V.

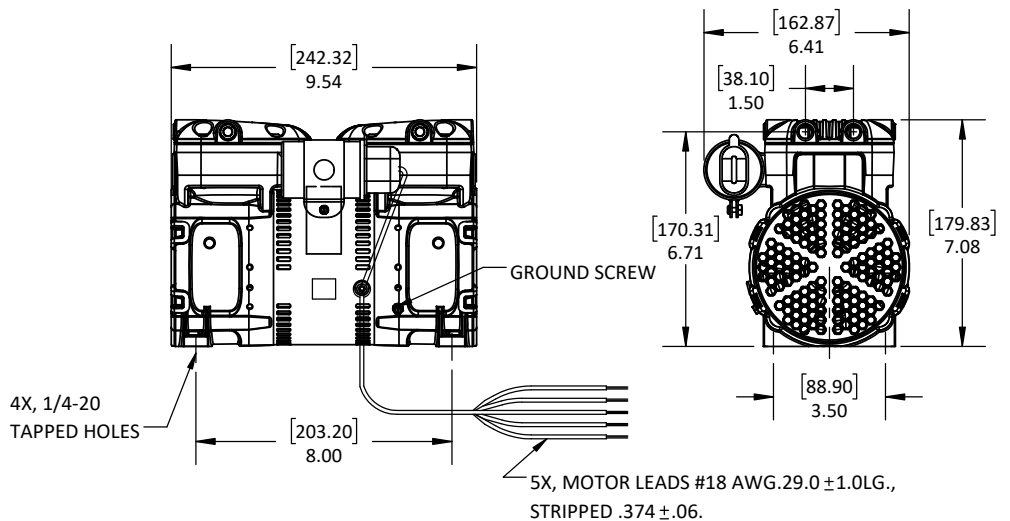
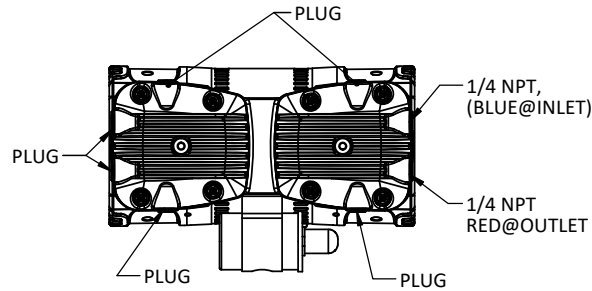
230V 50Hz下参数  
 真空度: 27.5In.Hg  
 空载流量: 113L/min



### PRODUCT DIMENSIONS:



\*CAPACITOR HAVE CONNECTED.



## 产品说明:

型号	电机电压	转速		电流		HP	kW	净重		电容	
		60HZ	50HZ	60HZ	50HZ			lbs.	kg	mfd.	VOLT
87R647-441-N470X	115-120/230-240 (60Hz) 110-120/220-240 (50Hz)	1725	1425	6.2/3.1	5.1/2.6	1/2	0.37	19.1	8.6	30	370

客户签字: \_\_\_\_\_

日期: \_\_\_\_\_

噪音: <65 db(A)

正常使用环境温度: +5°C - +40°C

相对湿度: 20% - 80%

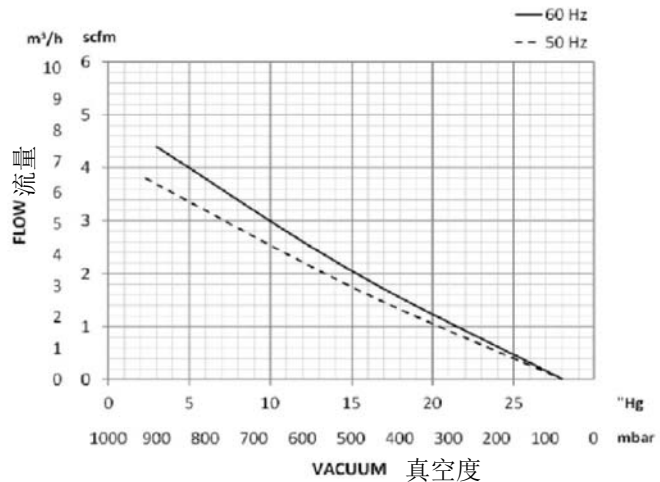
环境: 无尘

备注:

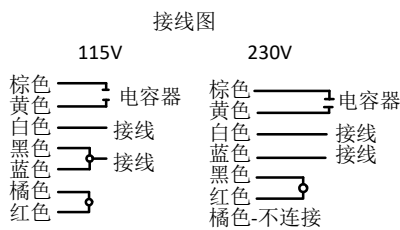
1. 本技术参数表如有更新恕不通知;
2. 请将泵安装在一个外壳内, 否则出于安全考虑, 请安装风扇盖;
3. 所有尺寸仅供参考;
4. 维修包料号: K964;

## 产品性能:

50Hz 时, 电压 230V.  
 60Hz 时, 电压 115V.



## 产品尺寸:



\*电容器已经预接好

